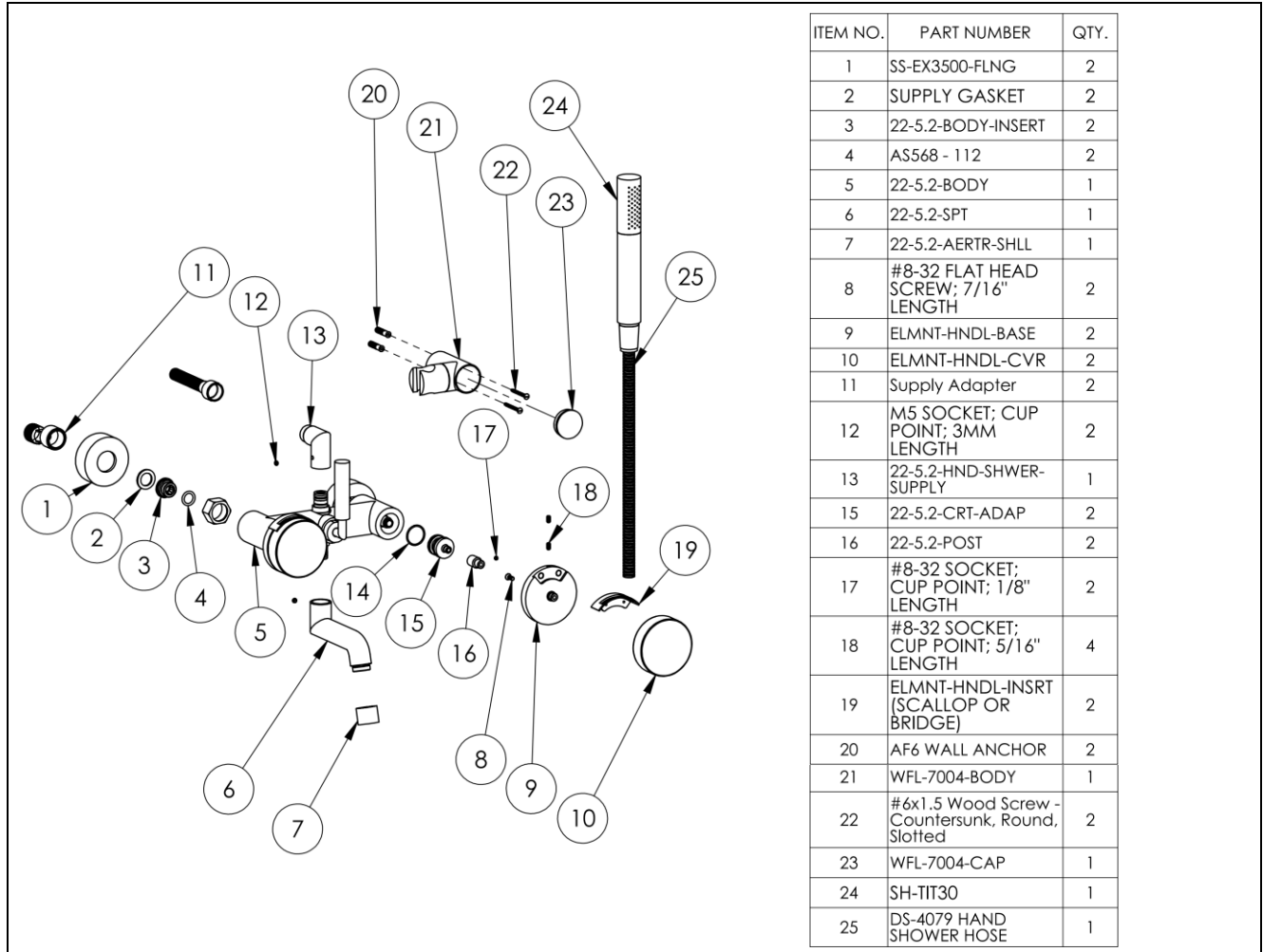


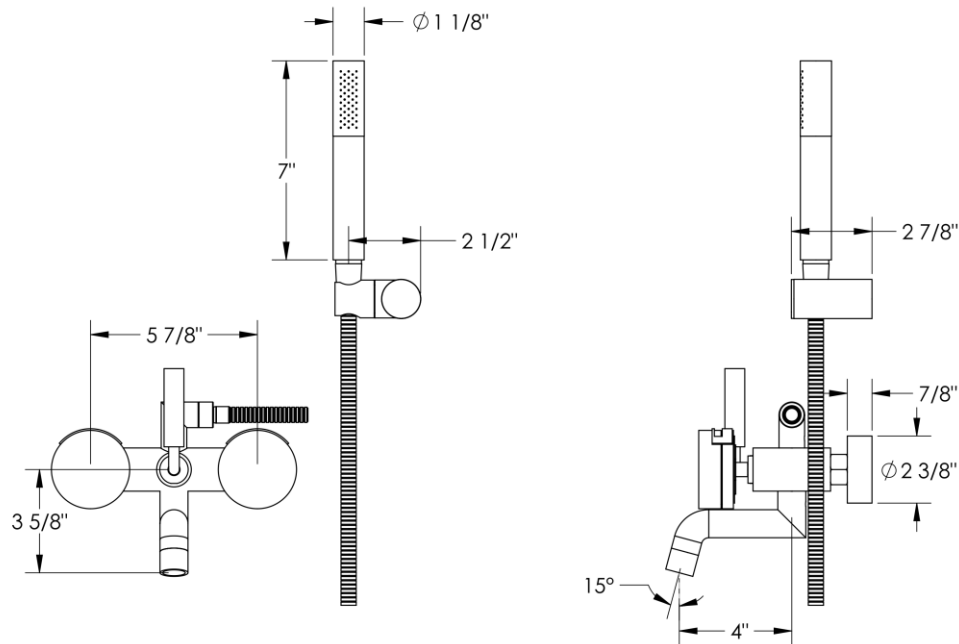
### FEATURES

- ¼ Turn ceramic disc cartridges
- Hand Shower Flow Rate: 2.0 gpm at 45psi
- Solid Brass Construction
- Warranty:
  - Limited lifetime warranty (residential use)
  - One year (commercial use)
- Some systems may require a remote pressure balance valve

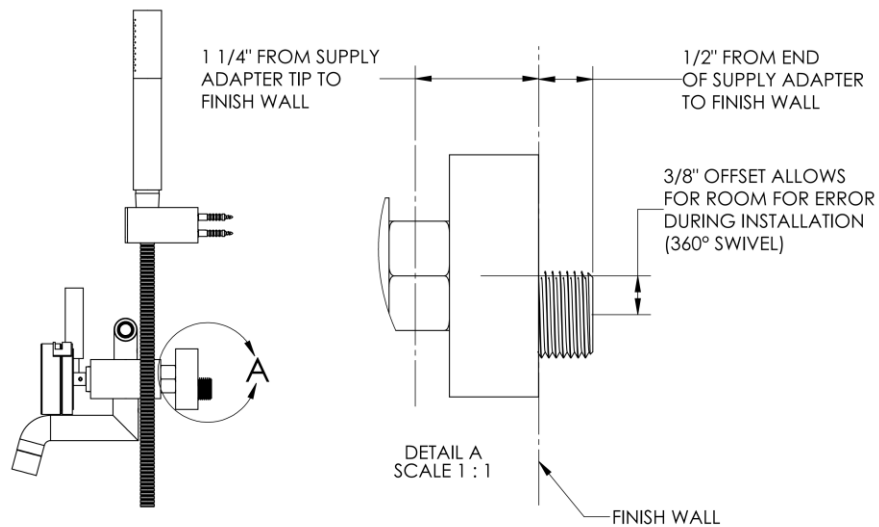


1. **Carefully remove all parts from the box.**
2. Assemble wall flange (1) with the tub filler body (5) and supply adapter (11)
3. If necessary attach tub filler aerator shell (7) to the tub filler spout (6) and then to the tub filler body (5) via set screw (12)
4. If necessary attach hand shower supply (13) to tub filler body (5) via set screw (12)
5. Screw hand shower hose (25) onto hand shower (24) and hand shower supply (13)
6. Install wall flange (21) to the wall
7. Screw ½" NPT female to sweat adapter onto supply adapter (11)
  - a. **Note: ½" NPT female to sweat adapter might not be included**
8. Sweat lines to sweat adapter

**Dimensions:**



**Supply Adapter Specs:**



**IMPORTANT INSTALLATION INFORMATION**

- USE TEFLON TAPE OR PIPE SEALANT FOR THREADED CONNECTIONS
- DO NOT USE PLUMBER'S PUTTY ON ANY OF THE BRASS COMPONENTS  
This will cause the finish to tarnish and void the warranty. A non-corrosive Alkoxy Silicone is recommended.
- DURING SWEATING OF LINES DO NOT OVERHEAT CASTING  
Overheating may cause damage to internal mechanism
- COPPER ADAPTORS MAY BE REQUIRED TO COMPLETE YOUR INSTALLATION

**For technical support, please call 718-257-2800**